

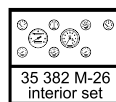
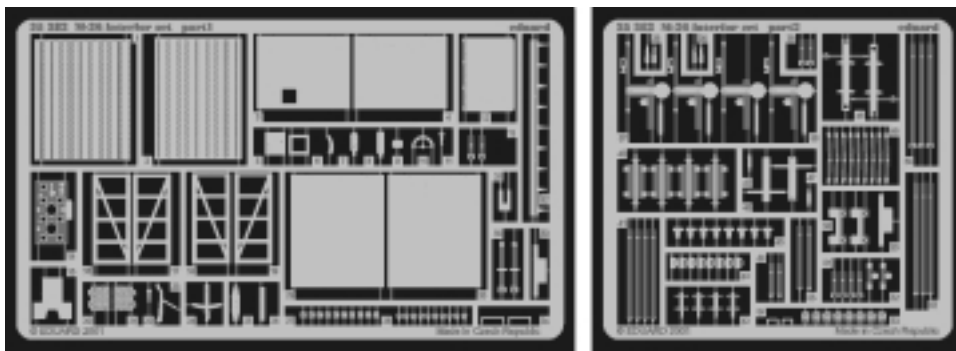


M-26 interior set

eduard

1/35 scale detail set for Tamiya 35 230, 35 244 kit • sada detailů pro model 1/35 Tamiya 35 230, 35 244

35 382



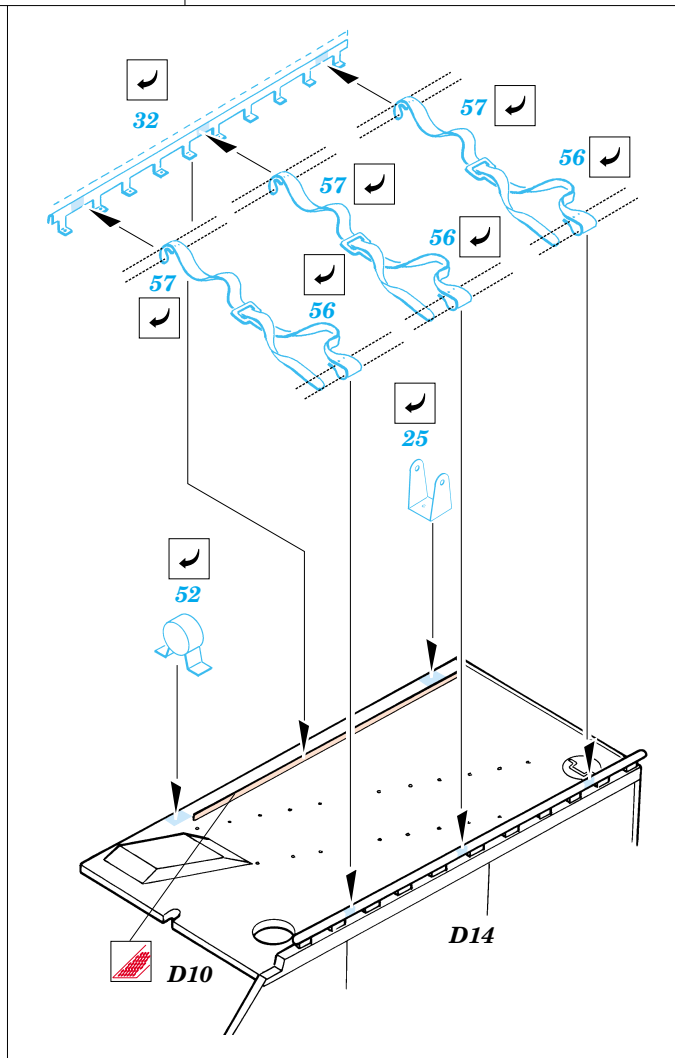
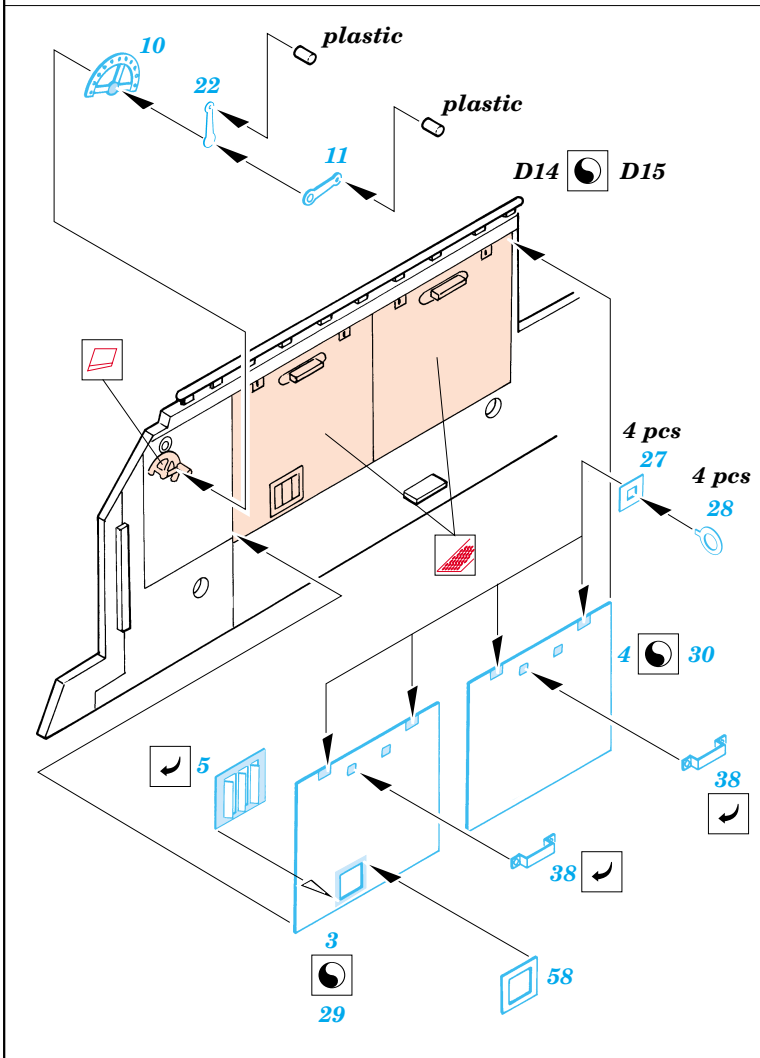
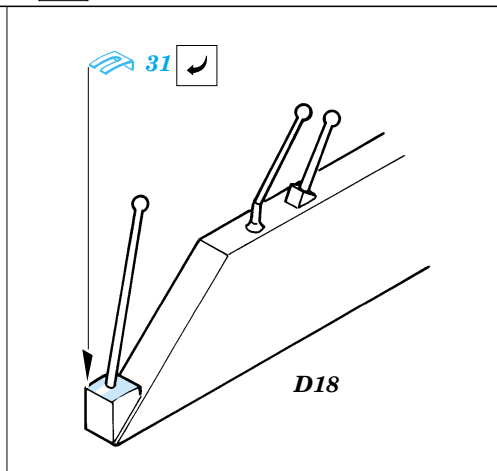
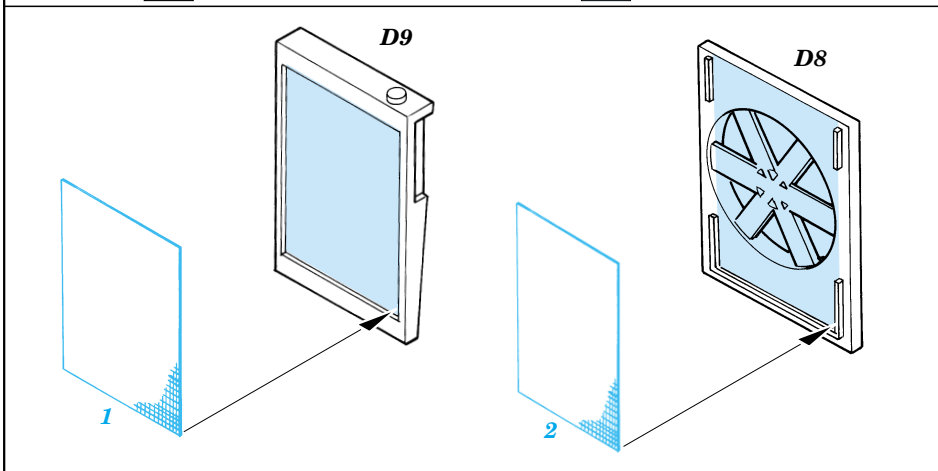
film

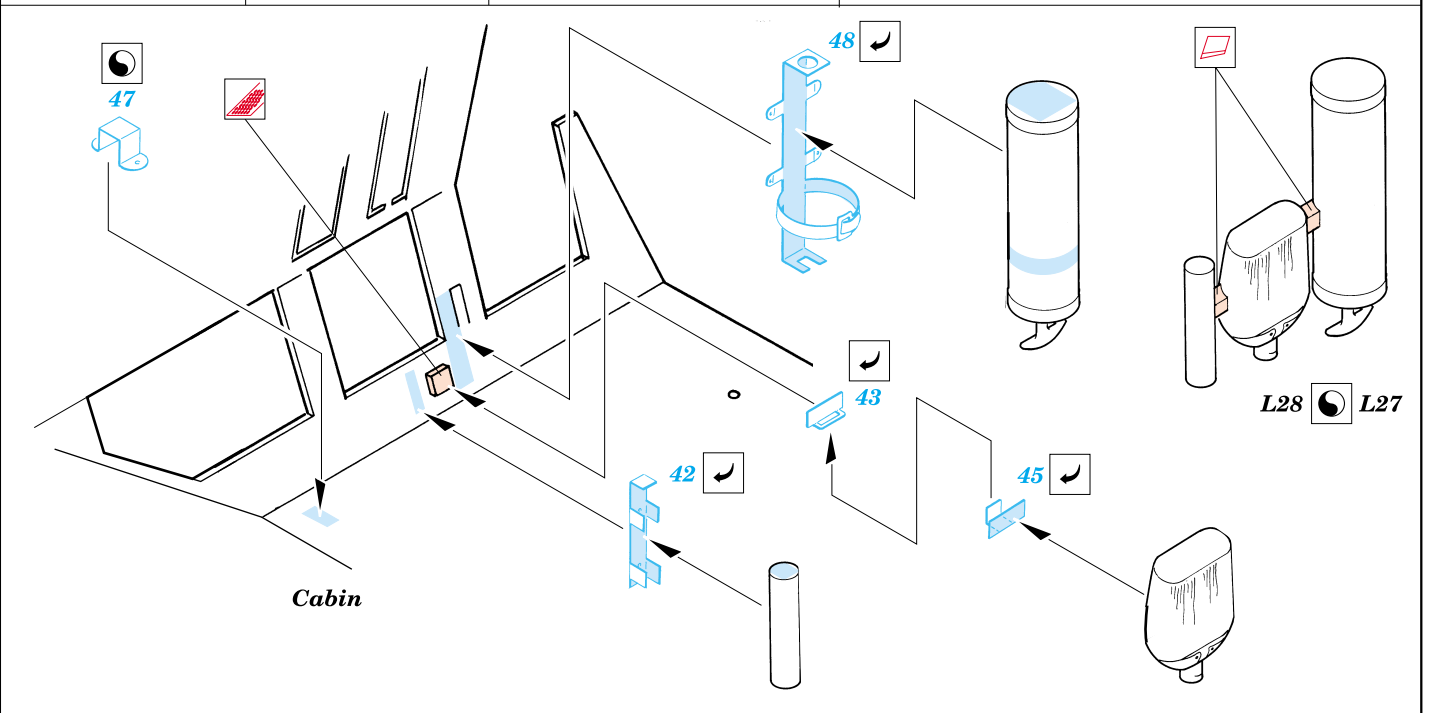
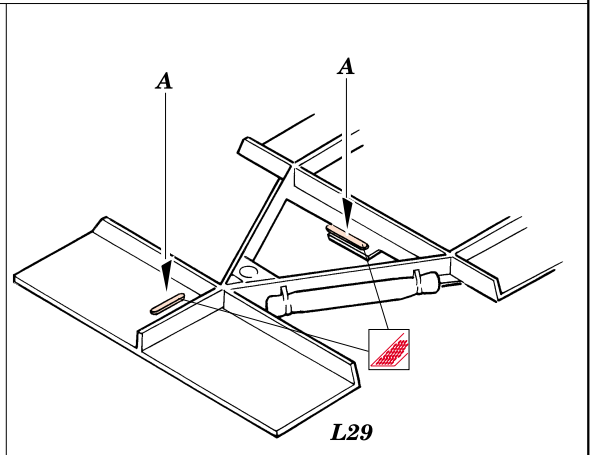
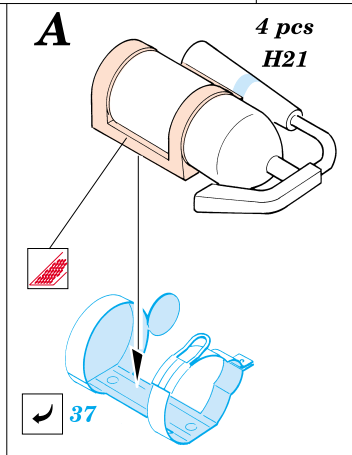
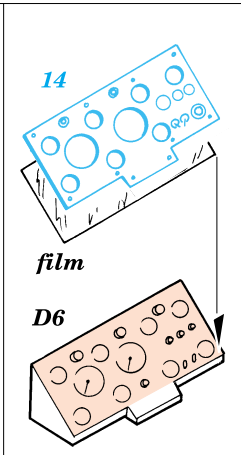
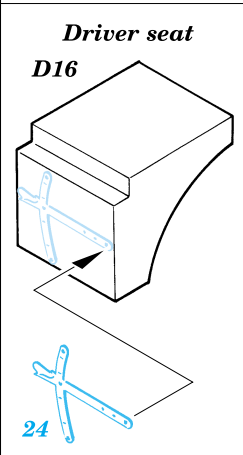
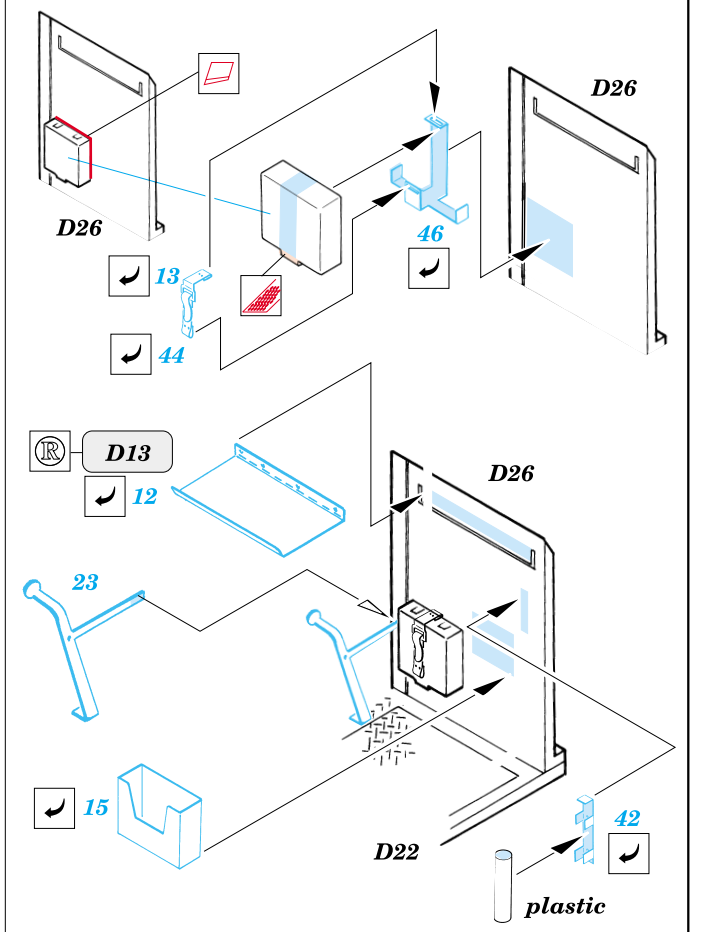
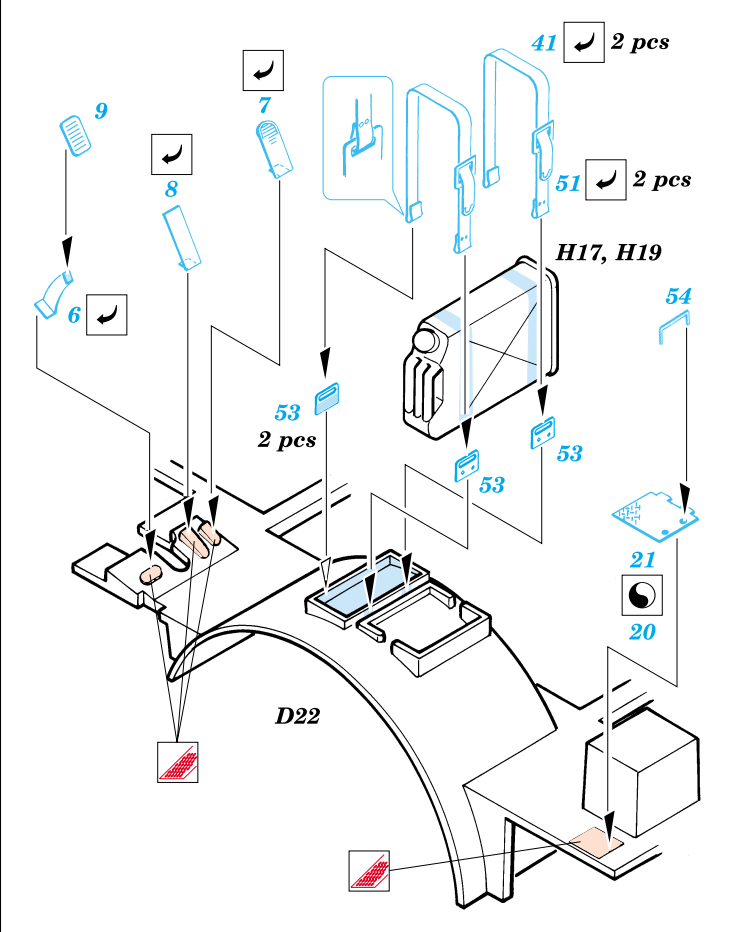
- SYMMETRICAL ASSEMBLY
SYMETRICKÁ MONTÁŽ
- REMOVE
ODSTRANIT
- BEND
OHNOUT
- REPLACE
NAHRADIT
- GRIND
OBROUSIT
- OPTION
VOLBA

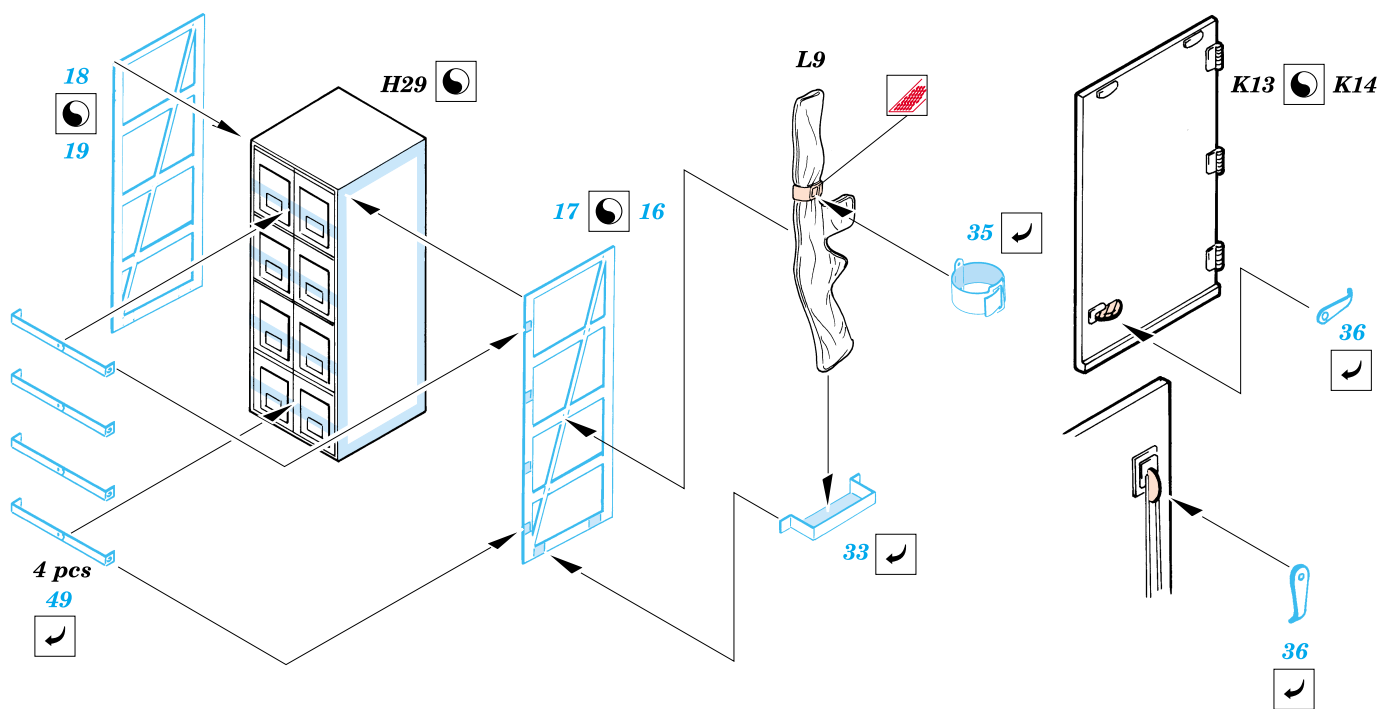
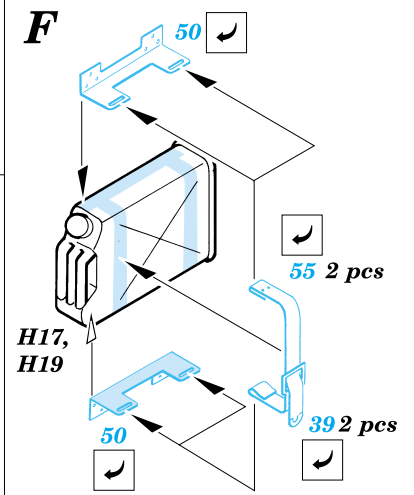
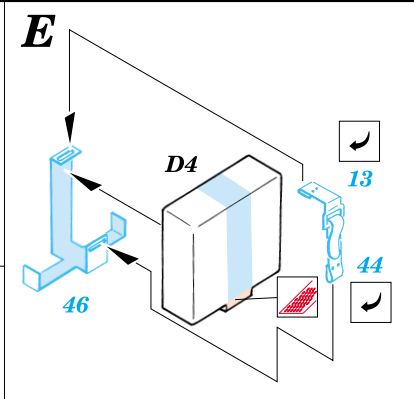
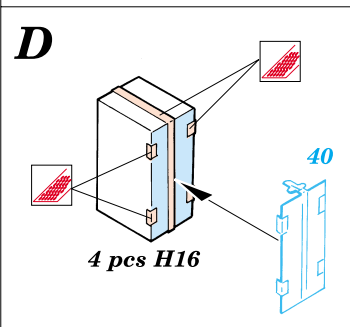
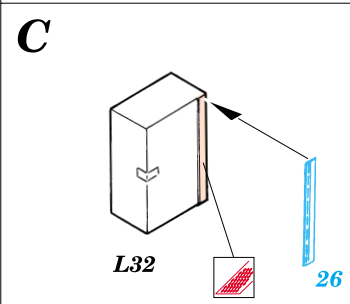
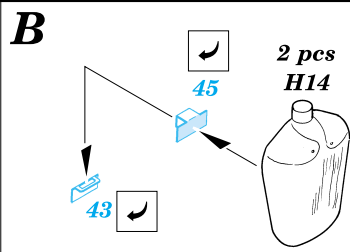
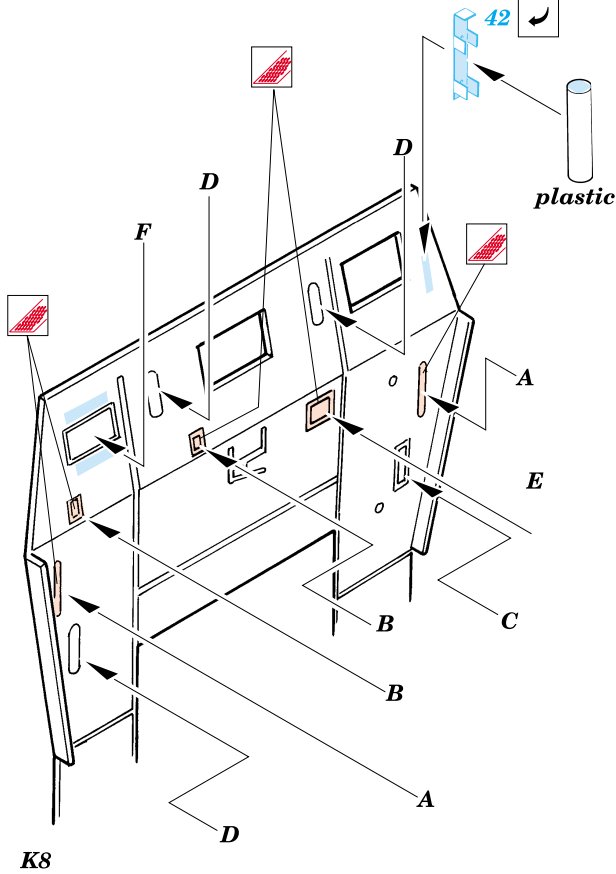
ORIGINAL KIT PARTS
PŮVODNÍ DÍLY STAVEBNICE

PHOTO-ETCHED PARTS
LEPTANÉ DÍLY

PARTS TO BE REMOVED
DÍLY K ODSTRANĚNÍ







References: - The Military machine : Dragon wagon
 - HaPM 11/2000
 - <http://www.kithobbyist.com/AFVInteriors/dragwag>

Look for Eduard Express Mask set useful for painting U.S. ARMY AFVs (not included in this set)

eduard	duard	duard	duard	duard
Express Mask	ress Mask	ress Mask	ress Mask	ress Mask
XT 003	T 004	T 005	T 006	T 037

