

648 465 Bf 109G-10/U4 engine

for Eduard kit - pro stavěbnici Eduard



1/48 scale



COLOURS

GSI Creos (GUNZE)			Mr.METAL COLOR	
AQUEOUS	Mr.COLOR		Mr.METAL COLOR	
H 8	C 8	SILVER	MC211	CHROME SILVER
H 12	C 33	FLAT BLACK	MC214	DARK IRON
H 70	C 60	RLM02 GRAY		
	C 92	SEMI GLOSS BLACK		

This product contains metal and resin detail parts for upgrading scale plastic models. When selecting this set make sure that it is for the kit mentioned in product name as these sets are made specifically for that kit. When upgrading the model some cutting or corrections may be necessary for parts to fit accurately. **WARNING!** This set contains small and sharp parts. Work carefully in a ventilated and well-lit room. Safety glasses are recommended. This product is not suitable for children below 14 years of age.

Tento výrobek obsahuje leptané a odlévané detaily pro úpravu a vylepšení plastického modelu. Při výběru sady kovových detailů zkontrolujte, zda je určena pro model, který chcete upravit. Model, pro který je sada určena, je uveden u názvu výrobku. Pro přesnou aplikaci kovových a odlévaných dílů může být zapotřebí upravit díly upravovaného modelu. **POZOR!** Sada obsahuje malé ostré díly. Pracujte ve větrané a dobře osvětlené místnosti. Doporučujeme použití ochranných brýlí. Tento výrobek není vhodný pro děti mladší 14 let.

eduard
435 21 Obrnice 170
Czech Republic
www.eduard.com



www.eduard.com

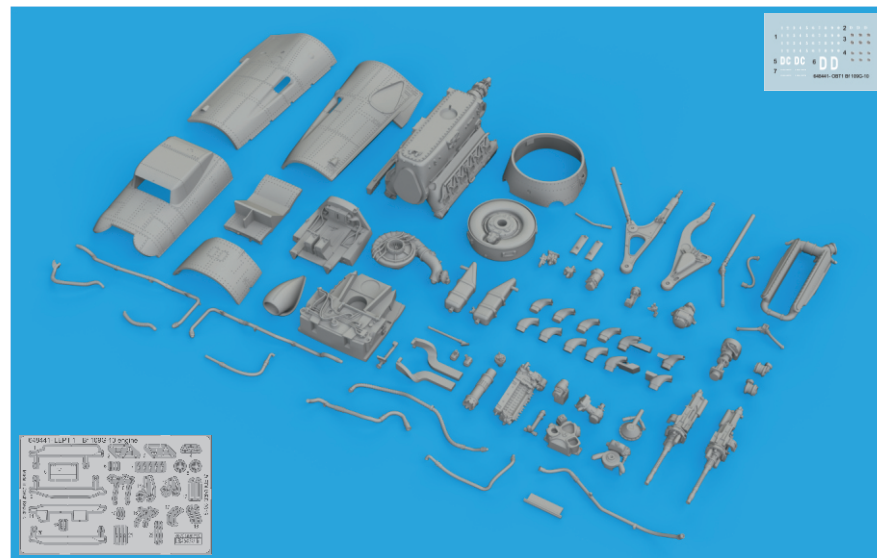
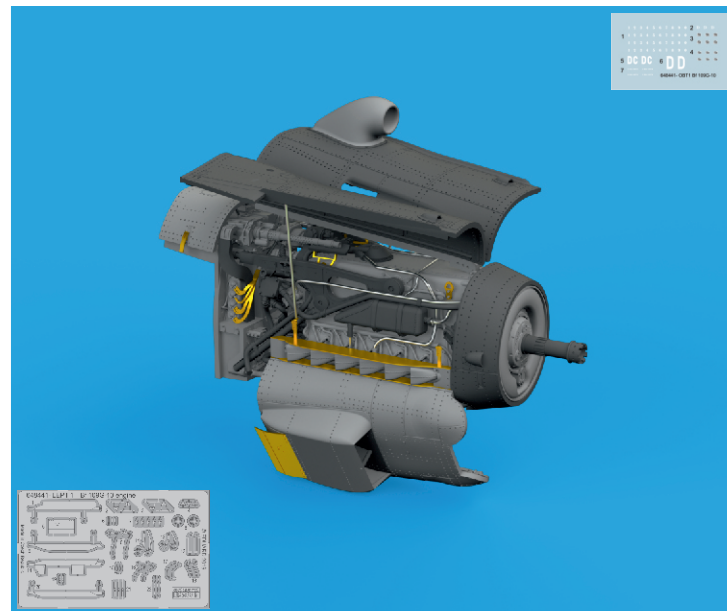
44,95



648 465 Bf 109G-10/U4 engine

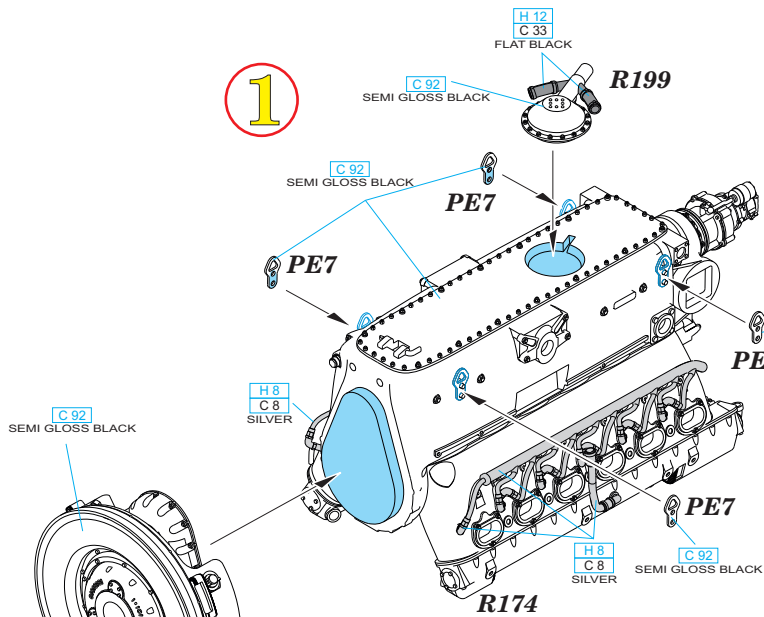
for Eduard kit - pro stavěbnici Eduard

1/48

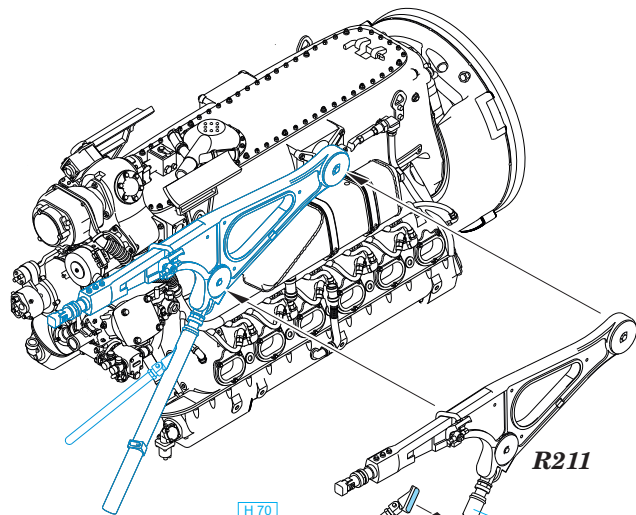


BEST ~~BRASS~~ RESIN AROUND!

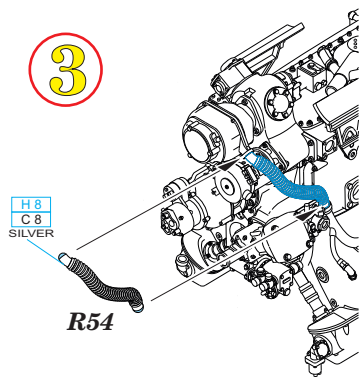
1



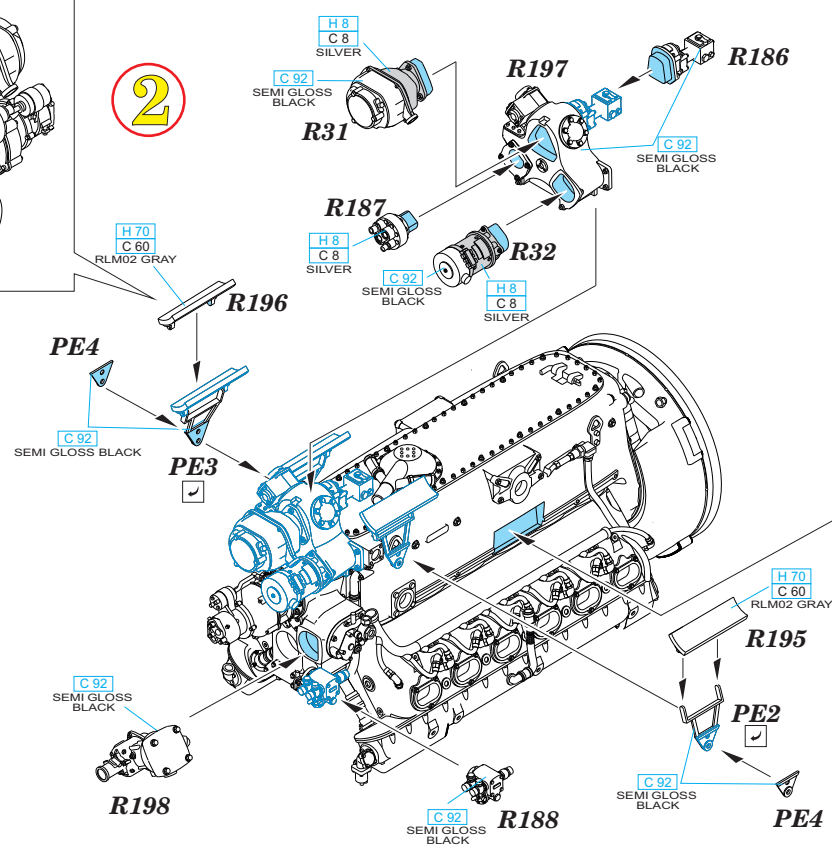
4



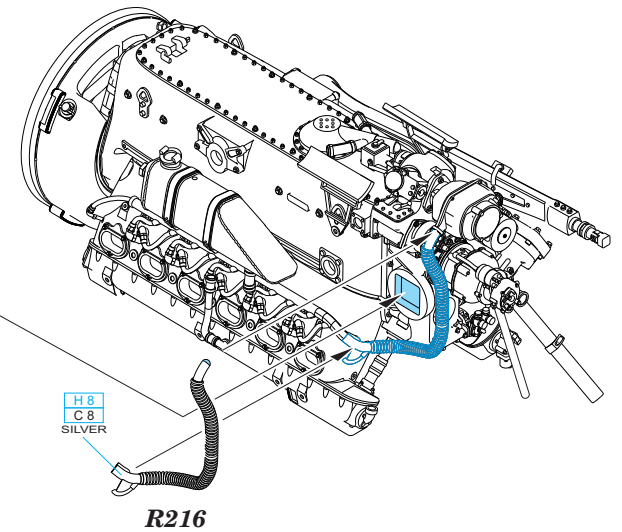
3



2



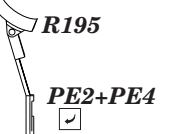
5



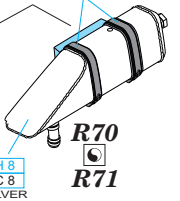
CORRECT POSITION

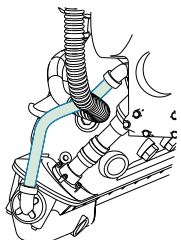


CORRECT POSITION



H 70 C 60 RLM02 GRAY

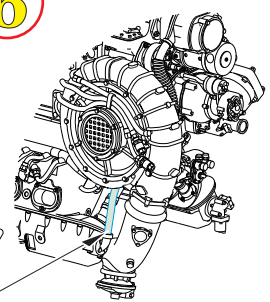




6

wire
Ø - 0,5mm
l - 7mm

C 92
SEMI GLOSS BLACK



7

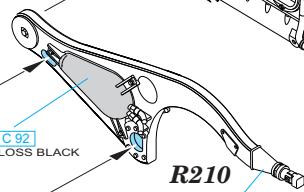
C 92
SEMI GLOSS BLACK

R210

H 70
C 60
RLM02 GRAY

R209

H 70
C 60
RLM02 GRAY



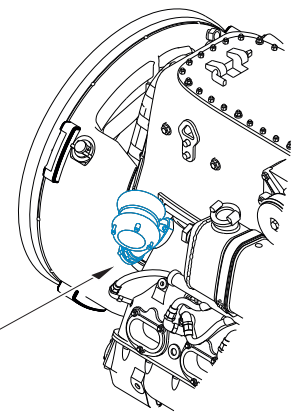
8

C 92
SEMI GLOSS BLACK

R177



R176



9

MC214
DARK IRON

H 70
C 60
RLM02 GRAY

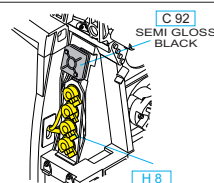
MC214
DARK IRON

R22

H 70
C 60
RLM02 GRAY

MC214
DARK IRON

R23



C 92
SEMI GLOSS BLACK

H 12
C 33
FLAT BLACK

R221

H 8
C 8
SILVER

H 70
C 60
RLM02 GRAY

R175

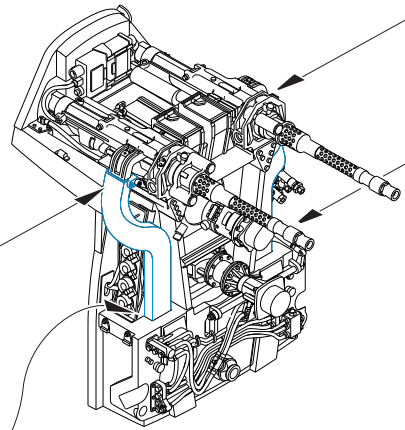
C 92
SEMI GLOSS BLACK

R183

10

C 92
SEMI GLOSS BLACK

R184

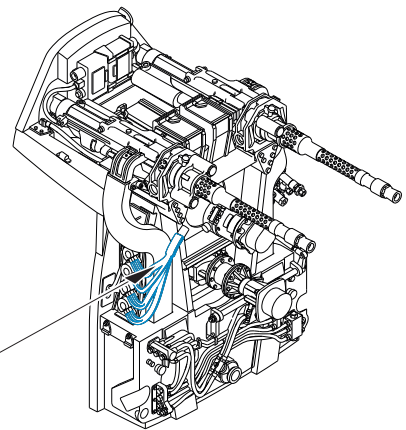


11

PE12

H 8
C 8
SILVER

PE11



12

wire
Ø - 0,4mm
l - 16mm

H 8
C 8
SILVER

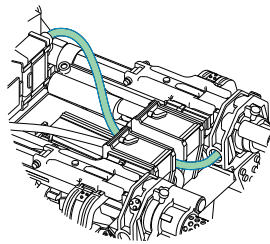
wire
Ø - 0,4mm
l - 16mm

H 8
C 8
SILVER

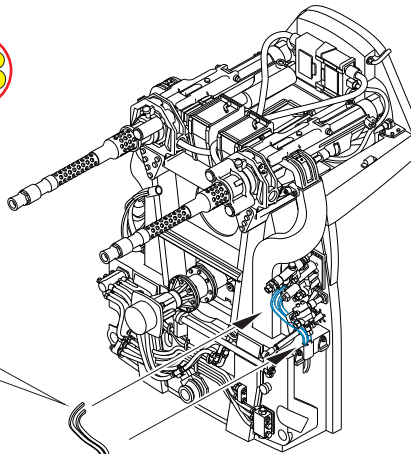
R59

C 92
SEMI GLOSS BLACK

R194



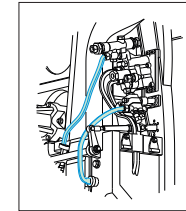
13



PE18

H 8
C 8
SILVER

14



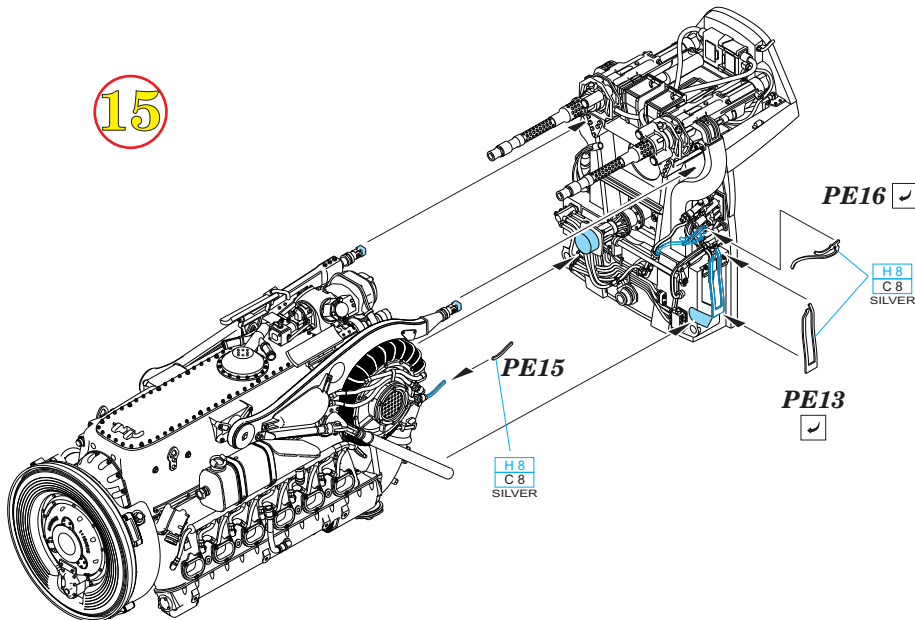
PE22

H 8
C 8
SILVER

PE17

H 8
C 8
SILVER

15



PE16

H 8
C 8
SILVER

PE13

H 8
C 8
SILVER

wire
Ø - 0,35mm
l - 10mm

H 8
C 8
SILVER

PE10

H 8
C 8
SILVER

R29

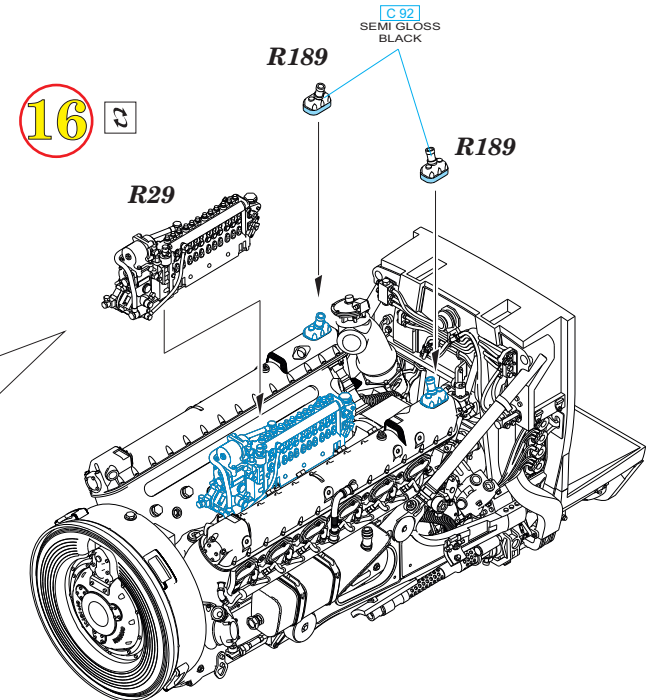
H 8
C 8
SILVER

R29

H 8
C 8
SILVER

wire
Ø - 0,25mm
l - 6mm

16



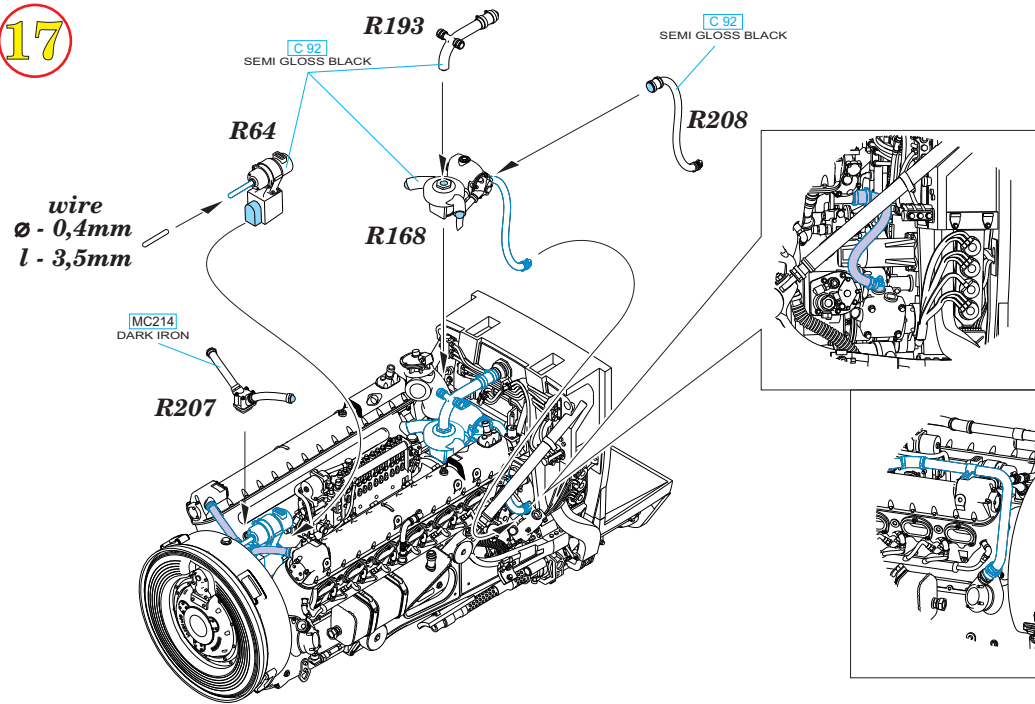
R29

R189

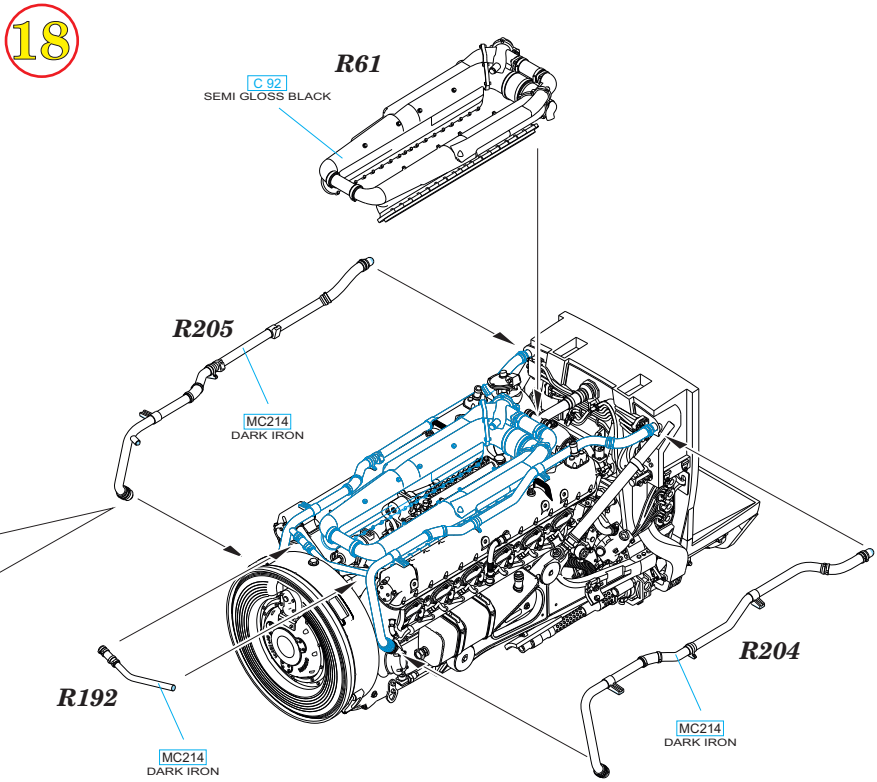
C 92
SEMI GLOSS BLACK

R189

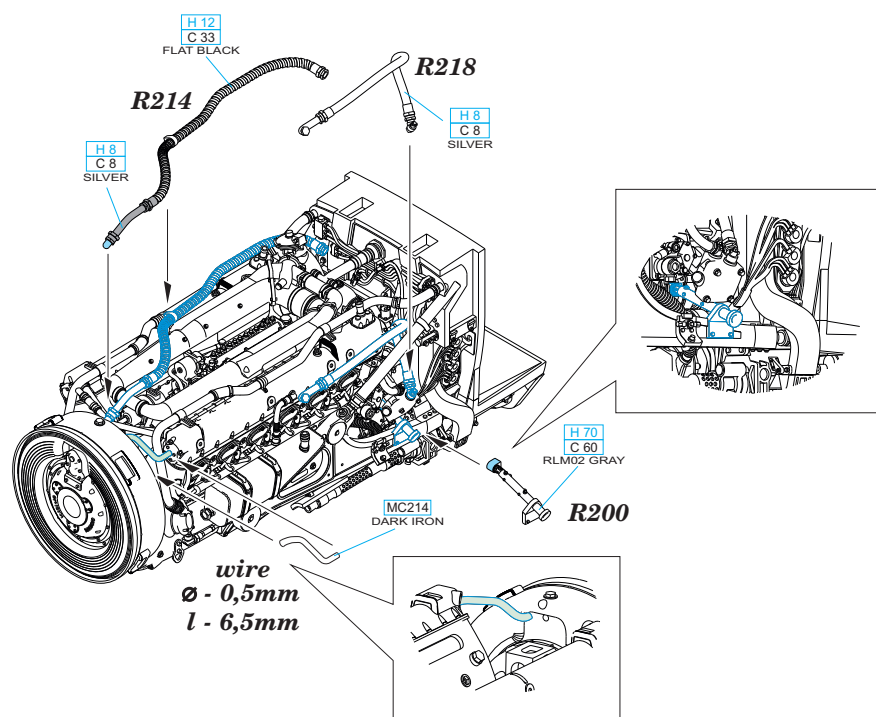
17



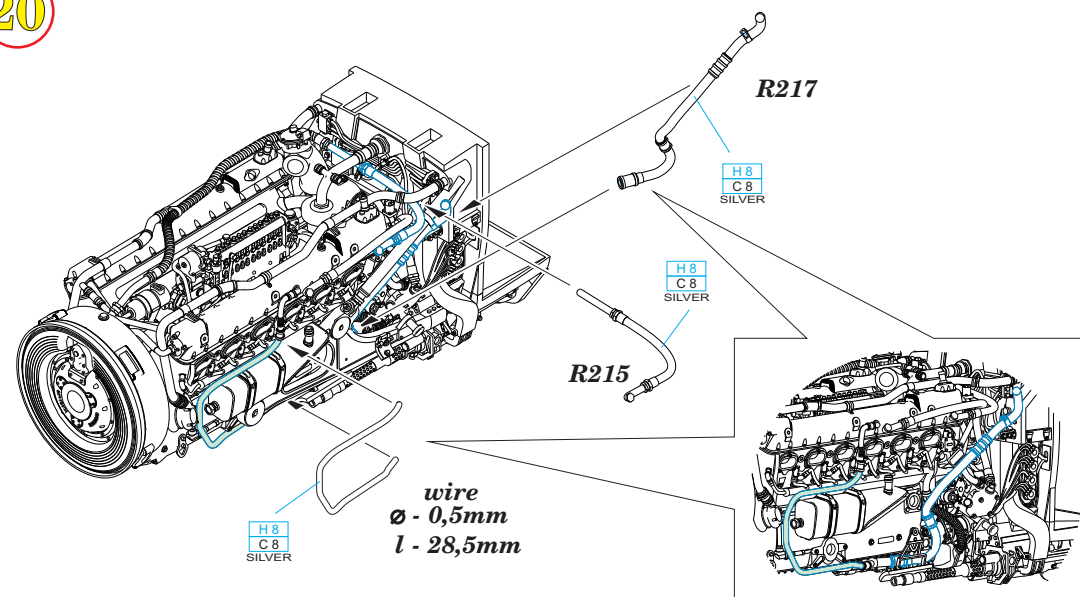
18



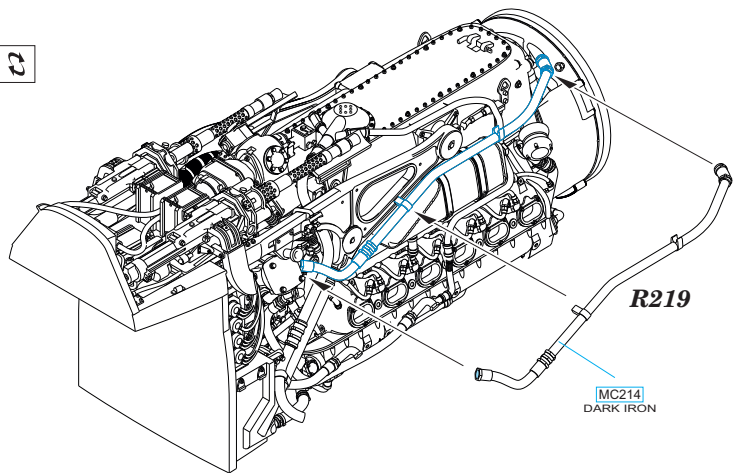
19



20



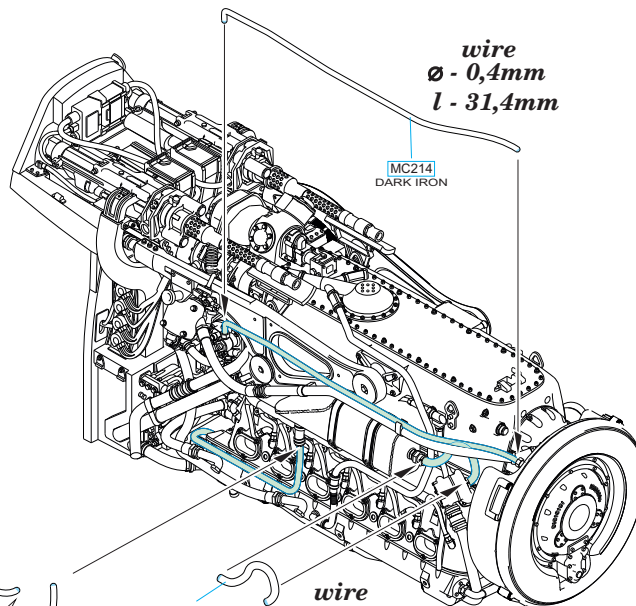
21



R219

MC214
DARK IRON

22



wire
Ø - 0,4mm
l - 31,4mm

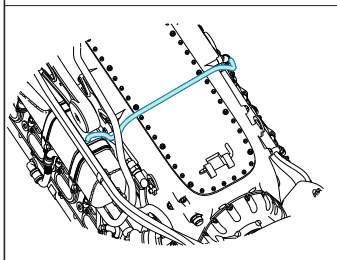
MC214
DARK IRON

wire
Ø - 0,45mm
l - 22,7mm

H 8
C 8
SILVER

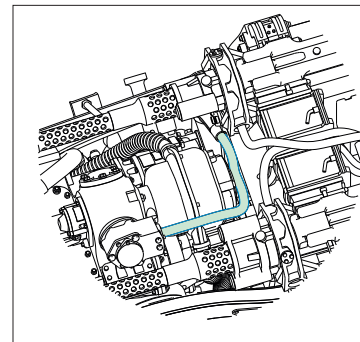
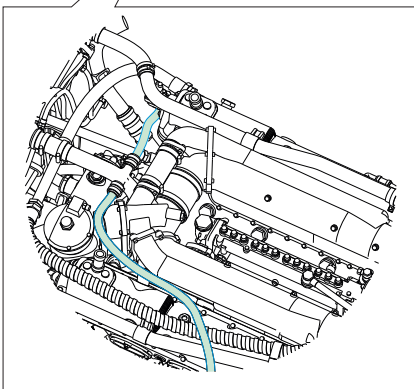
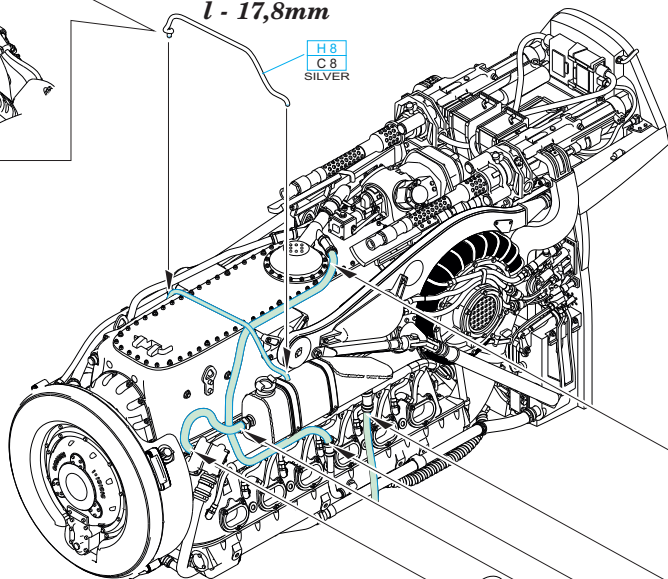
MC214
DARK IRON

wire
Ø - 0,5mm
l - 7,4mm



wire
Ø - 0,3mm
l - 17,8mm

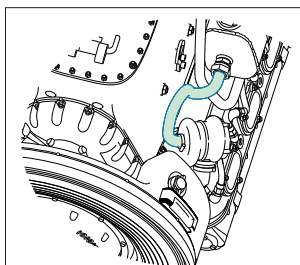
H 8
C 8
SILVER



H 8
C 8
SILVER

wire
Ø - 0,45mm
l - 12mm

23



wire
Ø - 0,5mm
l - 7,7mm

MC214
DARK IRON

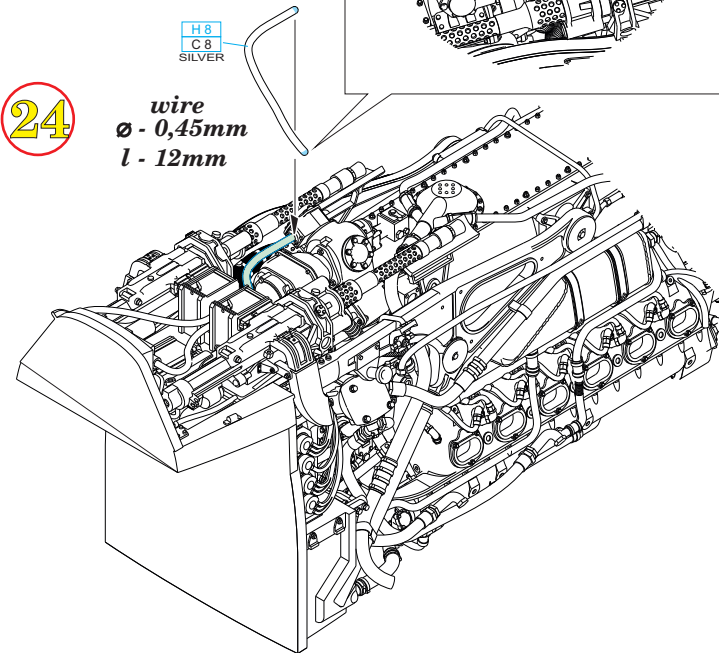
wire
Ø - 0,5mm
l - 31mm

H 8
C 8
SILVER

H 8
C 8
SILVER

wire
Ø - 0,45mm
l - 21,3mm

24

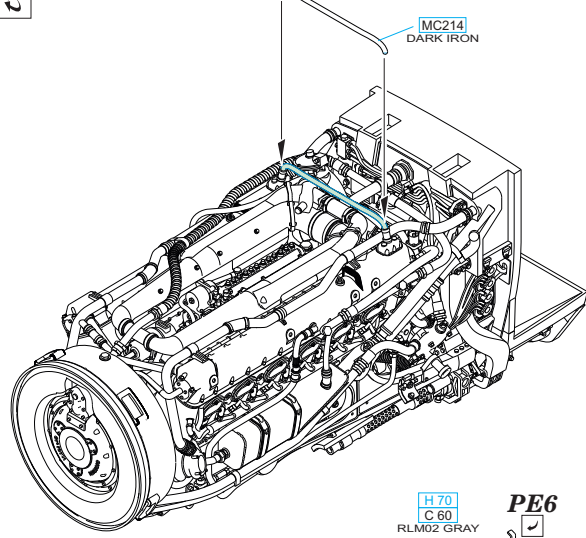


25

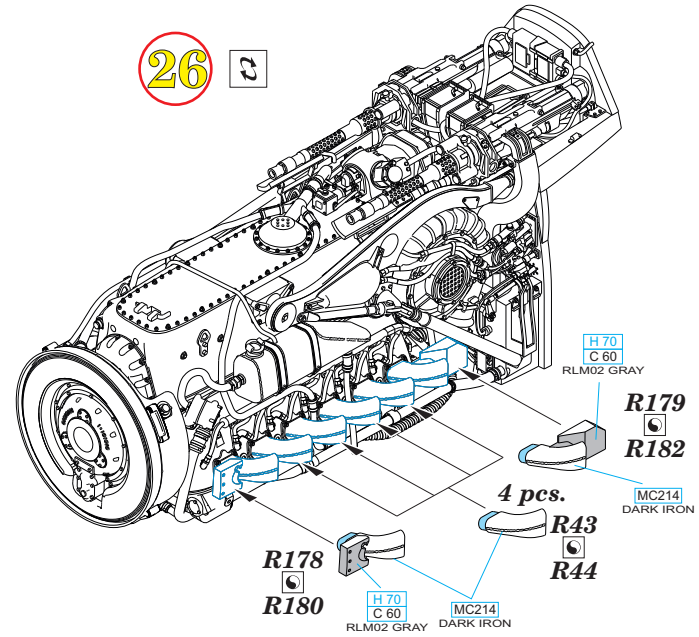


wire
Ø - 0,4mm
l - 22,7mm

MC214
DARK IRON



26



27

CORRECT POSITION

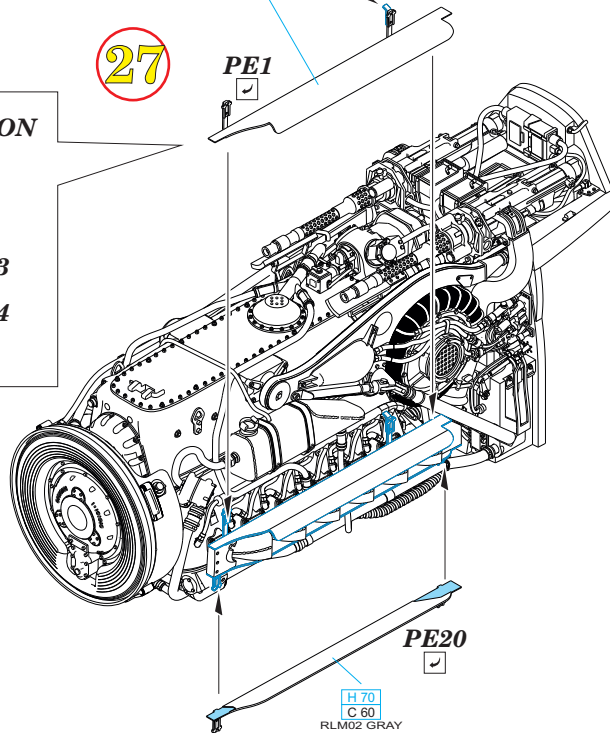
PE1



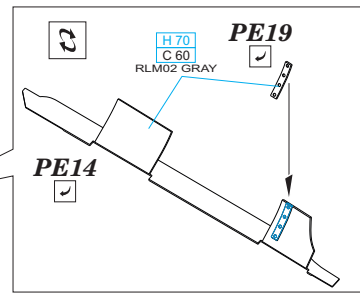
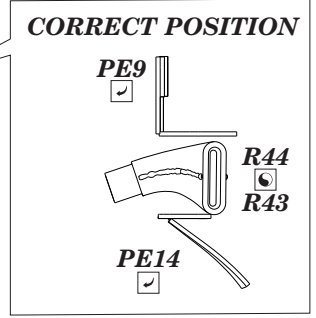
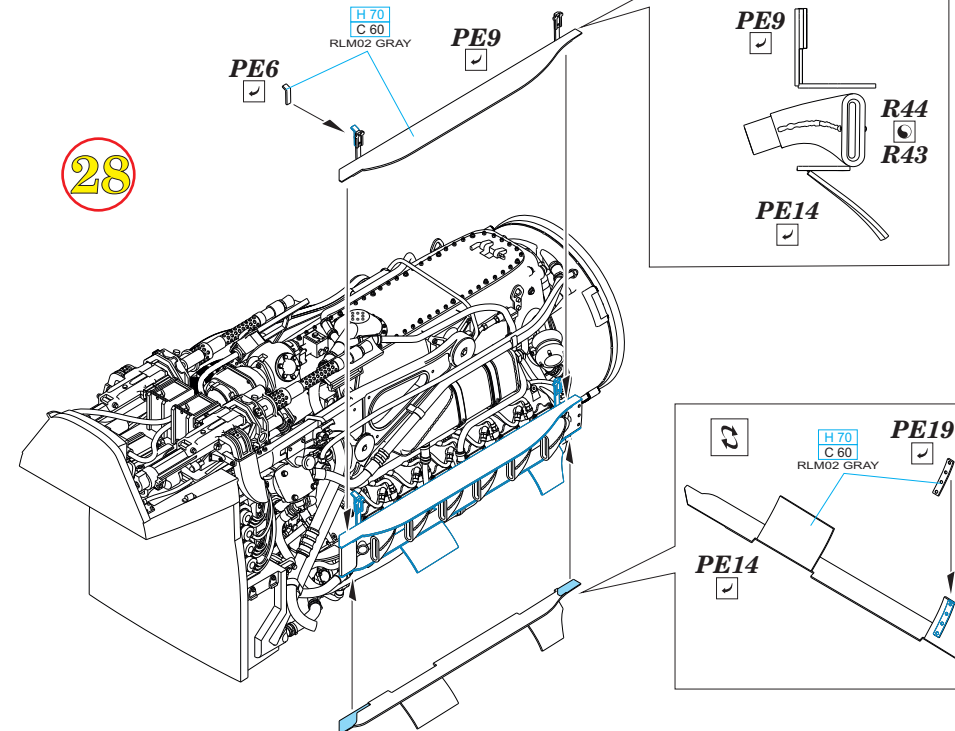
R43

R44

PE20



28



29

H 70
C 60
RLM02 GRAY

R171

PE21

PE21

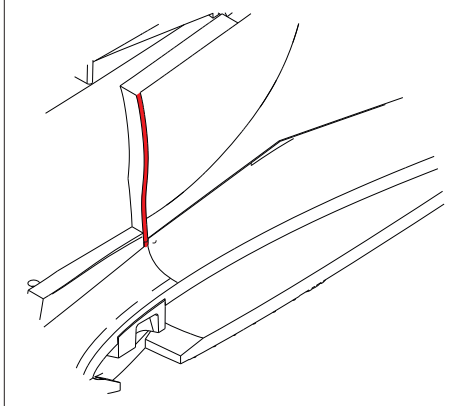
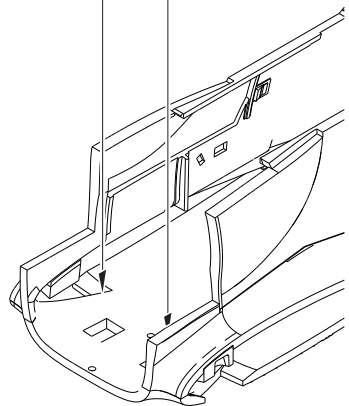
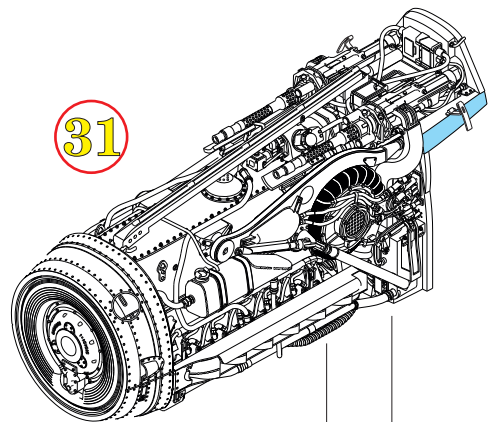
R170

H 70
C 60
RLM02 GRAY

plastic V1

V17

31

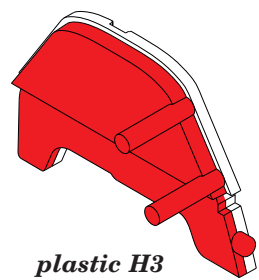
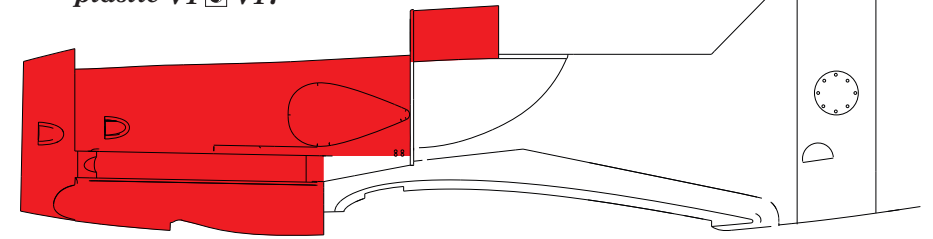


30

plastic H2

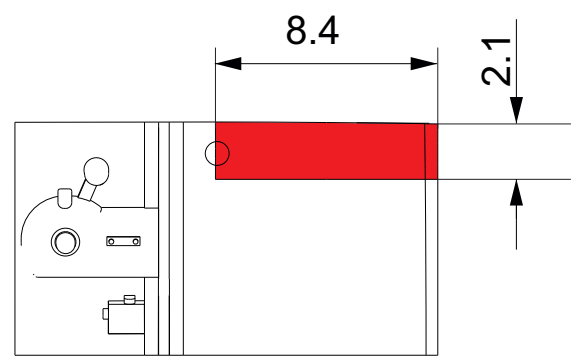
DON'T USE PLASTIC PART H2

plastic V1

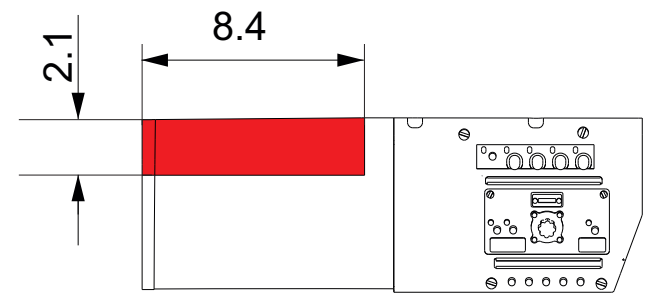


plastic H3

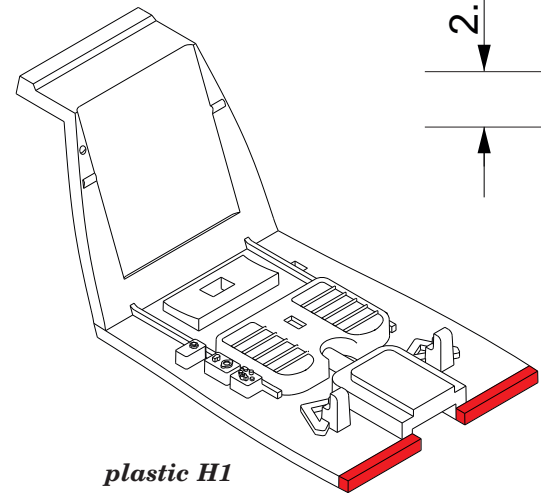
plastic H4



plastic V5

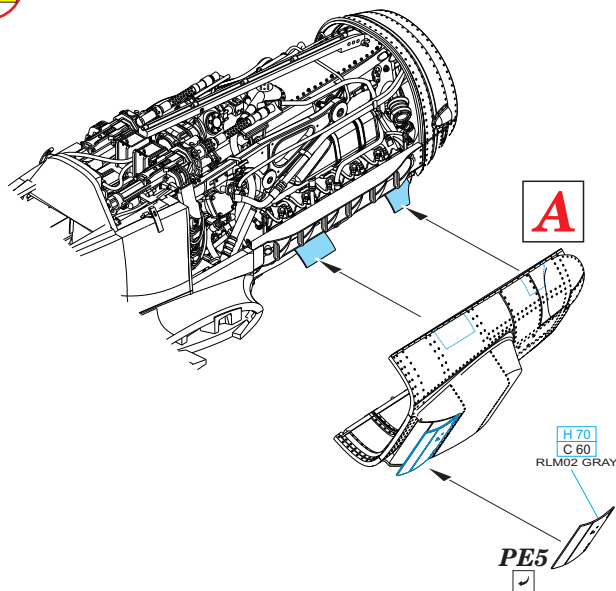


plastic V6

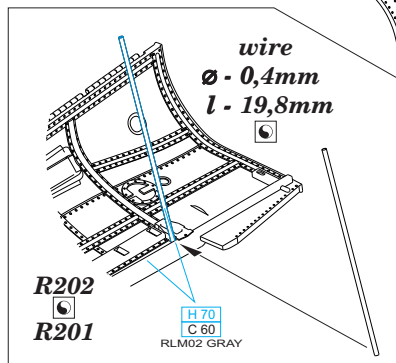


plastic H1

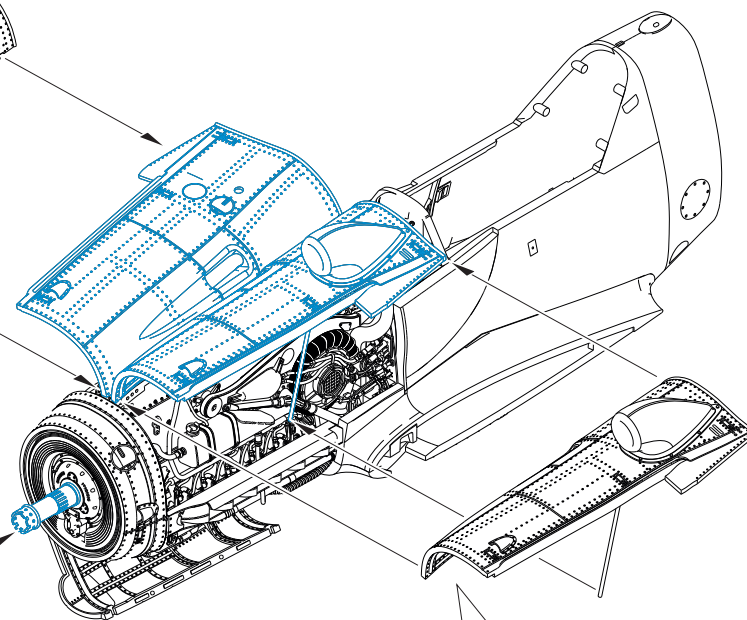
32



33



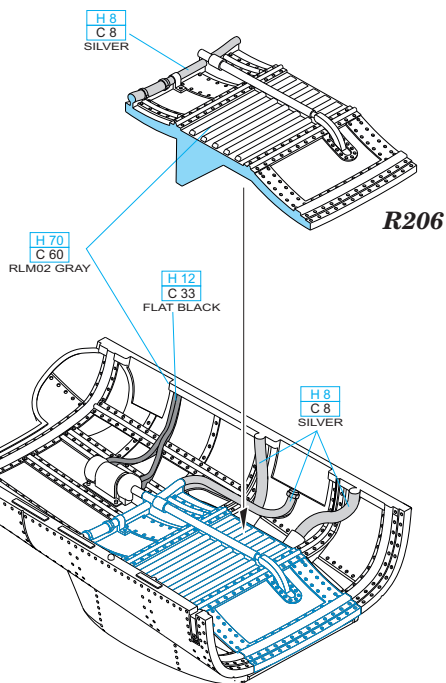
R202



R169

MC211
CHROME SILVER

A



R206

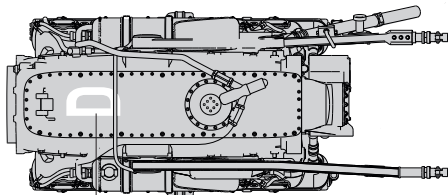
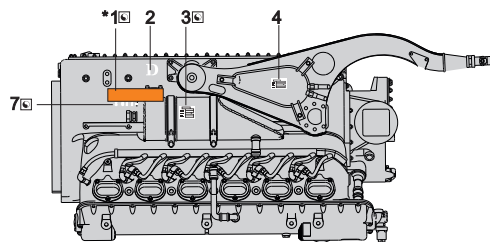
R213

R172

R201

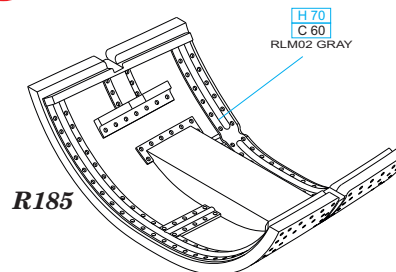
DECAL

*(POSITION OF 8 DIGIT W. Nr. OF THE ENGINE)



6 5

34



R185

- REMOVE
ODSTRANIT
- GRIND
OBROUSIT
- DRILL HOLE
VRTAT OTVOR
- SYMMETRICAL ASSEMBLY
SYMETRICKÁ MONTÁŽ
- SCRIBE THE PANEL AND HOLES
RYTI
- REVERSE SIDE
OTOČIT
- BEND
OHNOUT
- OPTION
VOLBA
- REPLACE
NAHRADIT

RELATED PRODUCTS

644 004 Bf 109G-10



648 158 Bf 109G wheels late



648 309 Bf 109G undercarriage legs BRONZE

